

ACUO

we care about the water you drink

Cold & Hot Water Dispenser

High Capacity • Commercial Use

UO-2302DW

HYDROPAC⁺



HYDROPAC SERIES PRODUCT FEATURES



Filter Replacement Notification & Check

Frequent filter replacement not only ensures clean drinking water, it also prolongs lifetime of the product. ACUO's HYDROPAC Series notifies filter replacement based on the preset replacement period (1-12months). Users can check filter remaining days to plan for purchases and replacements ahead of time.



Re-Boil

A simple touch of a button activates the boiling system for high temperature water anytime.



304 Stainless Steel

Tanks, heating element and inner water outlet pipes are of 304 Grade Stainless Steel.



HYDROPAC SERIES SAFETY FEATURES

ACUO's Water Dispensers are designed with multiple safety designs, which automatically suspends function with error is detected!

- Malfunction Detector
- Water Leakage Detector
- Compressor Protection
- Temperature Sensor
- Safety Fuse
- Anti-Dry-Heating



Adjustable Temperature

Hot and Cold Water Temperature Preservation can be adjusted.
Hot Temp Setting: 98°C, 95°C, 90°C, 80°C, 70°C
Cold Temp Setting: 10°C-20°C or turned off when not required.



Continuous Dispense Memory

For frequent users, HYDROPAC Series has the ability to learn and memorize the continuous dispense volume and provide the memorized volume each dispense.



Metal Casted LED Faucet

HYDROPAC Series are equipped with designer faucet with polish finish. LED indicators provide clear display and intuitive user interface.



Hot Water Lock

Safety Lock prevents scalding accidents.



UO-2302DW UNIQUE FEATURES



High Capacity Efficient Recovery

Capable of providing high capacity of hot and cold water for commercial usage. Efficient recovery rate minimizes the waiting time when water tanks have been emptied. Recovery time for hot: 10mins (to 95°C)
Recovery time for cold: 15mins (to 15°C)



Automatic Sleep Mode

Automatically enters Sleep Mode when product is inactive for the preset period of time (2-16hrs). Sleep Mode is designed to suspend all energy consuming functions, such as chilling and boiling, until it is waken at the touch of any button.

LED

LED Faucet

Quality faucet with clear LED displays. Button design for easy operation!



Built-In Filtration System

Equipped with ACUO's Dual-Pur-pose Super-Refined Activated Carbon Fiber Filter (UF-10P5C).
2-in-1 Structure = Two Filters Per Cartridge

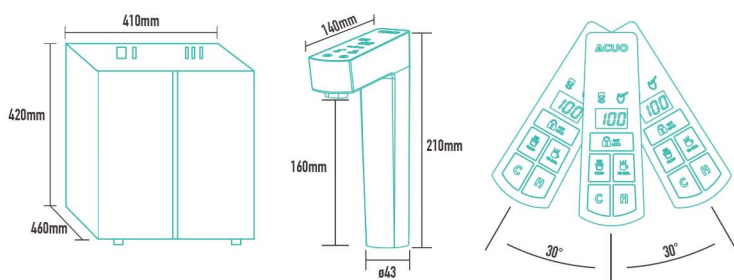


Large capacity suitable for hospitality, F&B and office spaces!

(restaurants, cafes, lounges, bars, pantries, hotels, clinics, etc..)



SPECIFICATIONS

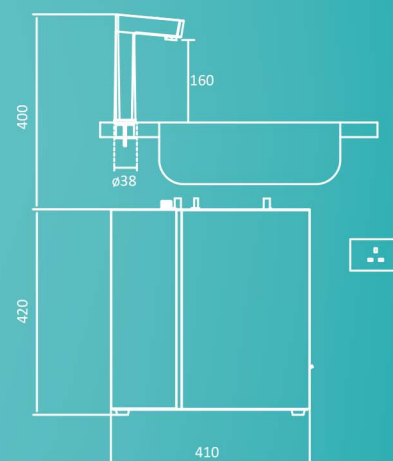
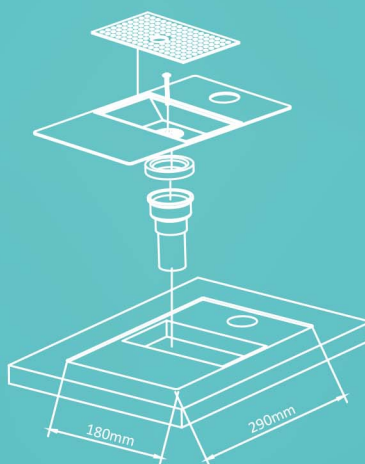
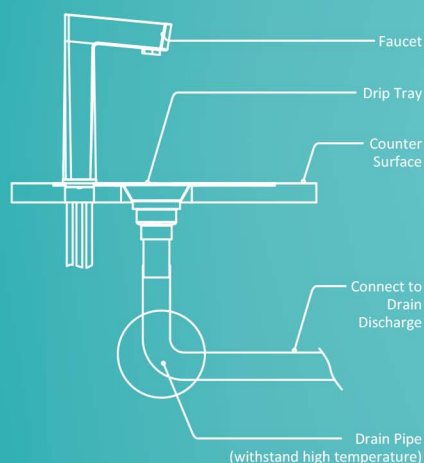


Model	UO-2302DW
Type	Cold & Hot
Voltage	220V
Hot Power Consumption	2400W
Cold Power Consumption	300W
Hot Tank	4.8L
Cold Tank	2.0L
Hot Water Capacity	43L/hr
Cold Water Capacity	82L/hr
Built-In Filter	UF-10P5C x1

Voltage can be customized based on requirements.
Hot Water 90°C±10°C · Cold Water 15°C±10°C

INSTALLATION

Unit:mm



ACCESSORIES



Font Drip Tray

Unique to HYDROPAC Series for isolated usage and drainage (separated from tap water and wash basin).

- 304-Grade Stainless Steel, high quality and sturdy.
- Removable Drip Tray for easy cleaning and maintenance.



Faucet Riser

50mm riser for additional height and work space under the faucet.

- 304-Grade Stainless Steel, high quality and sturdy.



INNOTRIO CO., LTD. Tel: +886-2-2291-9000 Email: info@9000.com.tw Website: www.acuowater.com

Please refer to actual product samples for accurate proportions and colors. We reserve the right to change product specifications without prior notices. PL-948-1